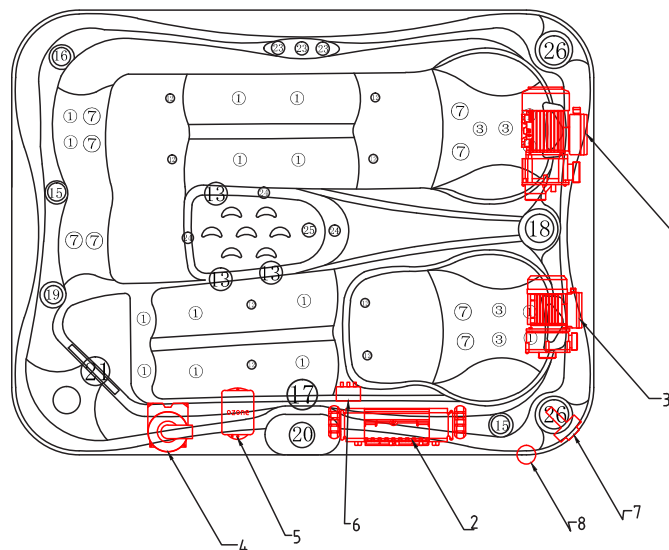
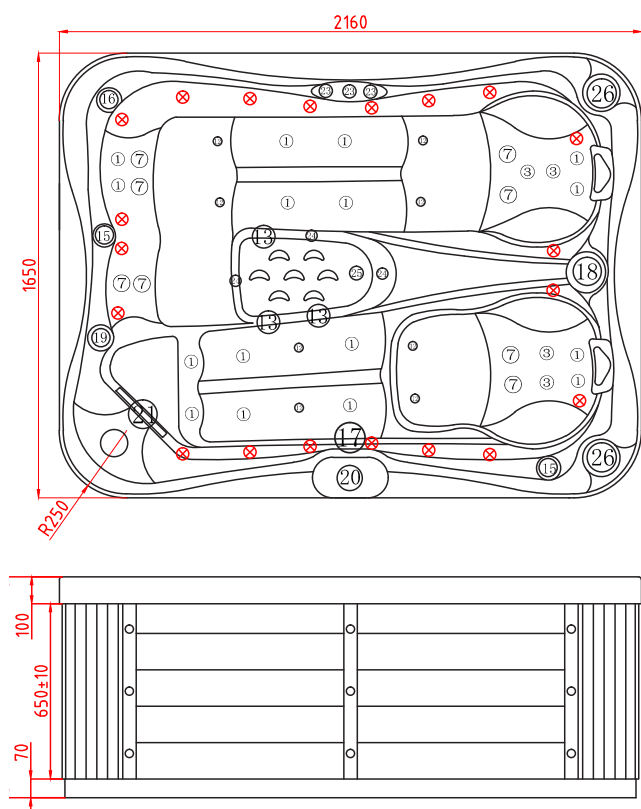


# SYRNA



Item	name	number	Item	name	number
1	LX Whiripool Pump(LP300)	1	2	System	1
3	LX Circulate Pump(WTC50)	1	4	Air Blower	1
5	Ozoner Generator	1	6	LED Synchronizer	1
7	Drain	1	8	Cable Hole	1

Item	name	hole size	number	Item	name	hole size	number
1	2"directional jet	ø38	16	3	2.5"directional jet	ø46	4
7	3.5"double roto jet	ø65	8	12	air jet	ø30	10
13	200GPM suction	ø85	2	15	air regulator	ø44	2
16	water controler	ø56	1	17	LED light	ø95	1
18	water diverter	ø80	1	19	aromatherapy	ø44	1
20	TP500S panel	/	1	21	filter	/	1
23	water scape	ø38	3	24	Circulating nozzle	ø30	3
25	drain	ø32	1	26	Pop Up Speaker	/	2
⊗	Waterline LED lights	ø12	20				