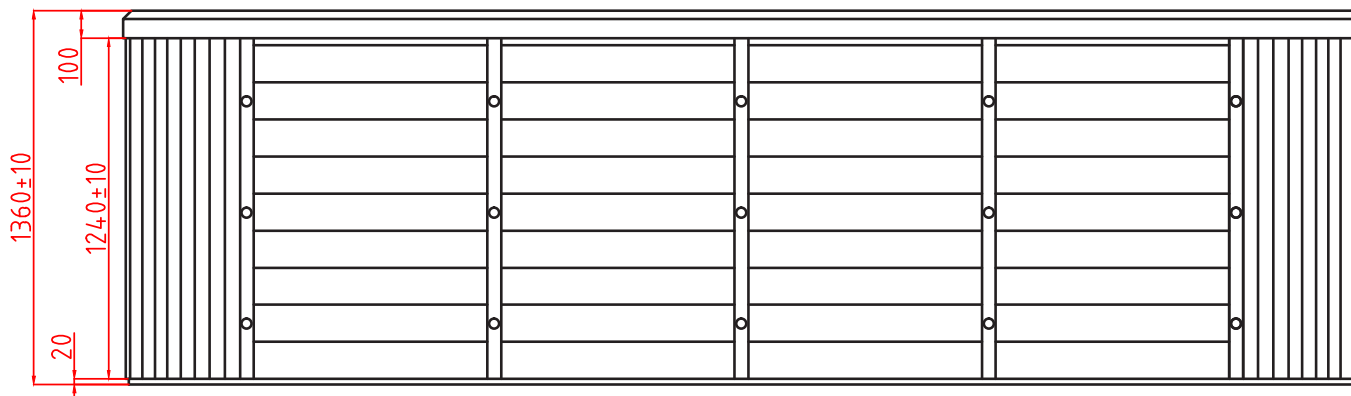
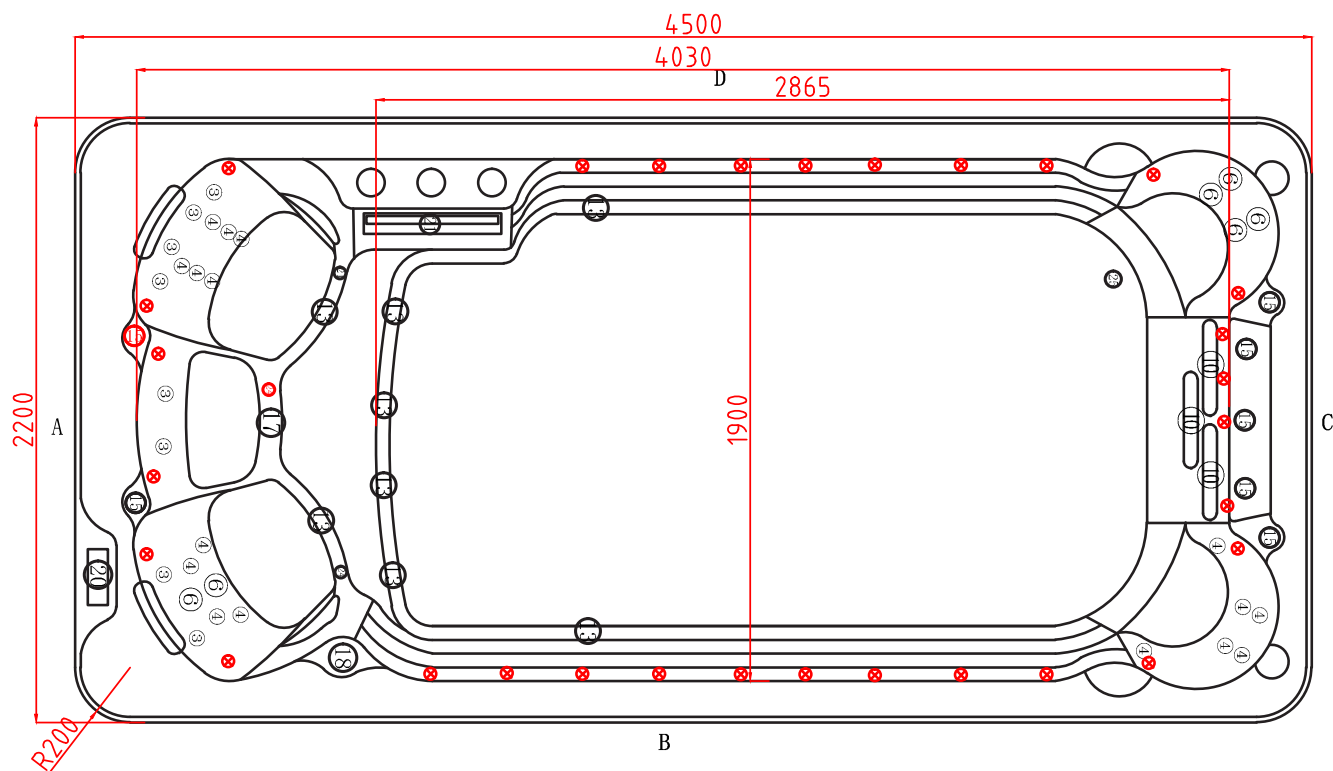


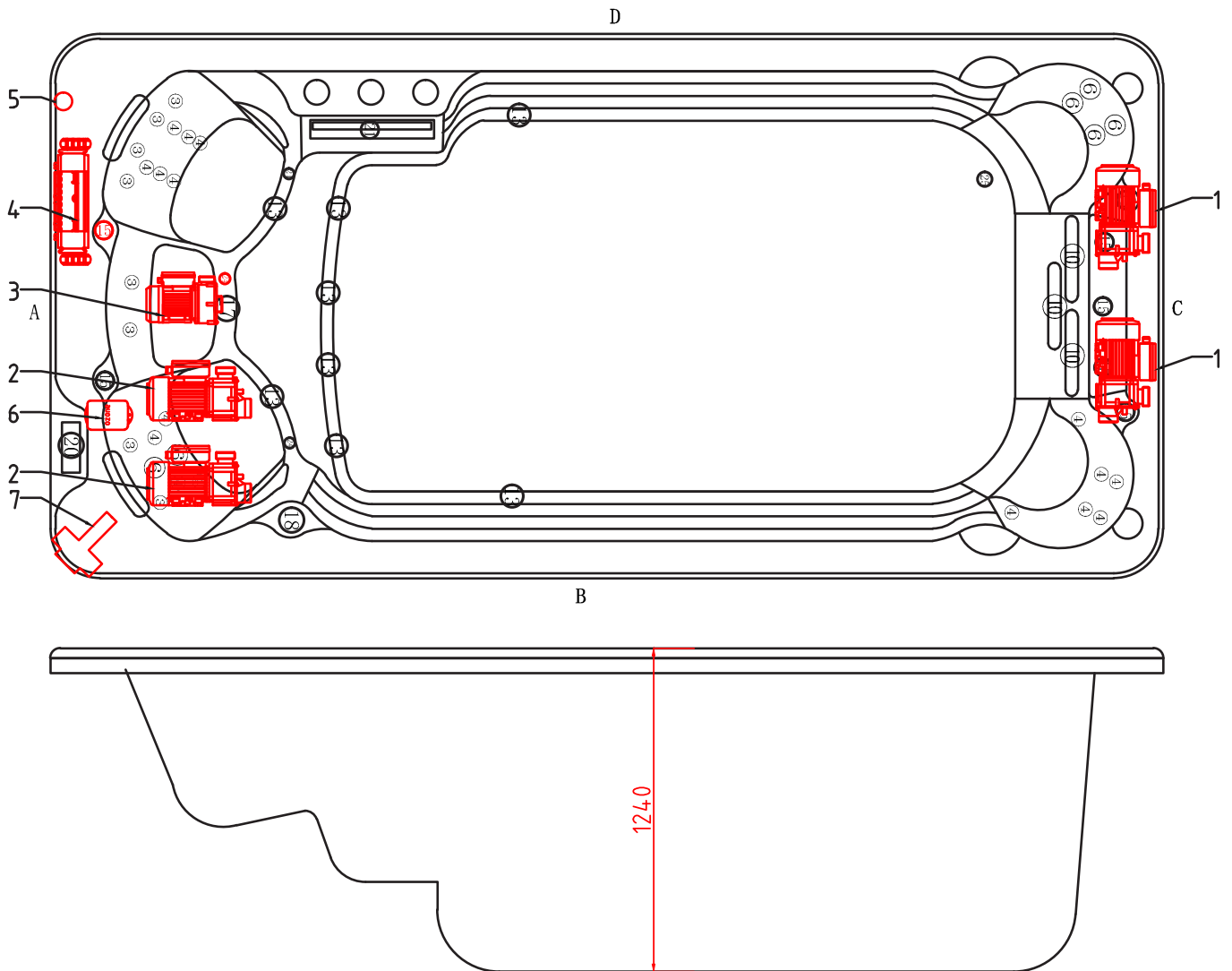
PAGOS



| Item | name | material number | Quantity | Item | name | material number | Quantity |
|------|-----------------------|-----------------|----------|------|----------------------|-----------------|----------|
| 3 | 2.5" direactional jet | 01.03.03.00049 | 8 | 4 | 2.5" double roto jet | 01.03.03.00048 | 16 |
| 13 | 200GPM suction | 01.03.03.00382 | 8 | 10 | River jet | 01.03.03.00019 | 3 |
| 15 | Air regulator | 01.03.03.00095 | 7 | 18 | Water diverter | 01.03.03.00084 | 1 |
| 17 | 5" underwater LED | 01.03.03.00450 | 1 | 20 | TP740T panel | 01.03.04.00655 | 1 |
| 21 | Double skimmer | 01.03.03.00110 | 1 | 24 | Circulation jet | 01.03.03.00078 | 3 |
| 25 | Drain | 01.03.09.00013 | 1 | ⊗ | Waterlevel LED light | 01.03.03.00205 | 30 |

* La hauteur de nos spas peut varier de + ou - 150 cm. ** Voir CGV.

PAGOS



| Item | name | material number | Quantity | Item | name | material number | Quantity |
|------|---------------------------|-----------------|----------|------|-------------------------|-----------------|----------|
| 1 | LX pump LP300 | 01.03.04.00159 | 2 | 2 | LX pump LP200 | 01.03.04.00144 | 2 |
| 3 | LX circulation pump WTC50 | 01.03.04.00163 | 1 | 4 | Control system BP6013G3 | 01.03.04.00006 | 1 |
| 5 | Cable hole | 01.03.05.00181 | 1 | 6 | Ozone genetator | 01.03.04.00385 | 1 |
| 7 | Drain | 01.03.09.00013 | 1 | | | | |